

Application



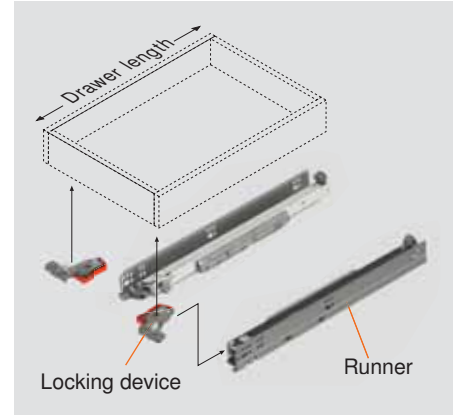
Features

- Four-dimensional adjustment
- Elongated holes for depth adjustment
- Bottom mount holes
- 125 lb static load capacity

Description

- Full extension concealed runners
- Face frame or frameless cabinets
- BLUMOTION soft closing
- Smooth running action
- Available in 12" to 21" lengths
- 13 (1/2") to 16 (5/8") drawer thickness
- Compatible with TIP-ON BLUMOTION and SERVO-DRIVE

Basic Components



Components

Runner set

One set required per drawer



For overall cabinet depth	Drawer length	MOVENTO
610 (24")	533 (21")	763H5330S
533 (21")	457 (18")	763H4570S
457 (18")	381 (15")	763H3810S
381 (15")	305 (12")	763H3050S
Wood screw for installation		606N or 606P
System screw for installation		662.1150.HG

Standard locking device with side-to-side adjustment



- One right and one left required per drawer
- Captive right and self-aligning left device
- Self-adjusting drawer length tolerance
- Steel base with synthetic, spring-loaded release levers
- Minimum inside drawer width 170 (6-11/16")
- Side-to-side adjustment ±1.5 (1/16")
- For use with MOVENTO runners only
- For other options see page 26

Part no.

Right locking device **T51.7601 R**

Installation Left locking device **T51.7601 L**

page 7 Installation screw **606N or 606P**

Rear mounting bracket for frame cabinets



For use when installing MOVENTO runners in face frame cabinets. Not necessary for frameless cabinet installation.

- Two required per drawer
- Depth and lateral self-alignment
- Zinc-coated steel
- Not for use with TIP-ON BLUMOTION

Part no.

Non-handed bracket **295.3750.02**

Installation screw **606N or 606P**

Locking device spacer for thin fronts



- Works with MOVENTO locking devices
- 12 (15/32") and 13 (1/2") sub-fronts only

Part no.

T59.K010M

Installation screw **6064N**

Optional TIP-ON BLUMOTION

- Enables MOVENTO drawers to be opened with just a light touch of the drawer front and retain BLUMOTION soft closing action
- Fully mechanical motion
- Can be used with or without pulls
- Minimum opening width 281 (11-1/16")

page 14 - 19

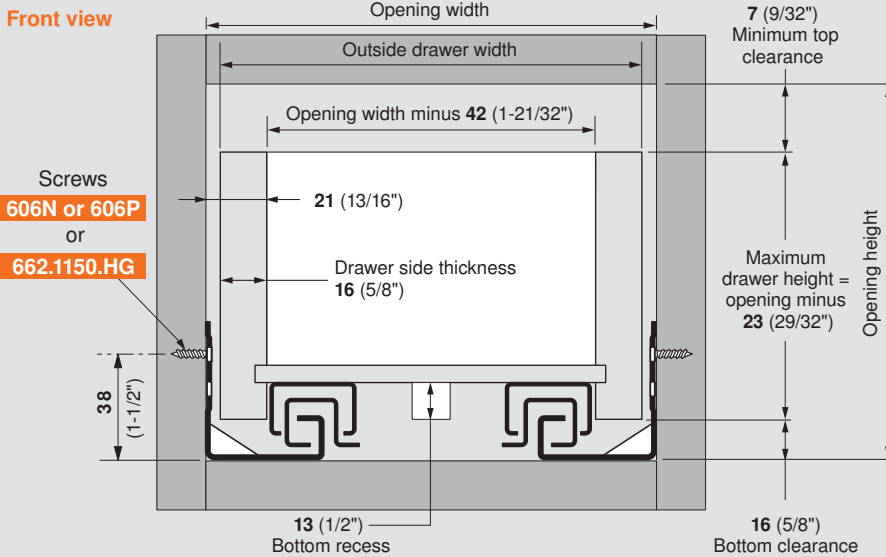
Drawer and Cabinet Specifications

Maximum drawer thickness	16 (5/8")
Lengths available	12" - 21"
Static load capacity	125 lb

MOVENTO



Drawer box specifications



NOTE: Drawer side material thickness may vary. Accurate measurement of drawer side material thickness should be used when calculating outside drawer width using the table below. Inside drawer width **must** equal opening width minus 42 (1-21/32") for MOVENTO runners to align and function optimally.

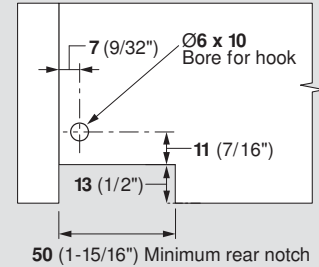
Calculating outside drawer width

For drawer side thickness	16 (5/8")	15 (19/32")	13 (1/2")	12 (15/32")
Deduct from opening width	10 (13/32")	12 (15/32")	16 (5/8")	18 (23/32")

Example: For 21" opening width and a 5/8" thick drawer, 21" minus 13/32" = 20-19/32" drawer width

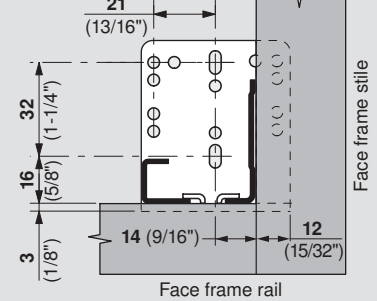
Drawer back preparation

Rear view



Rear mounting bracket

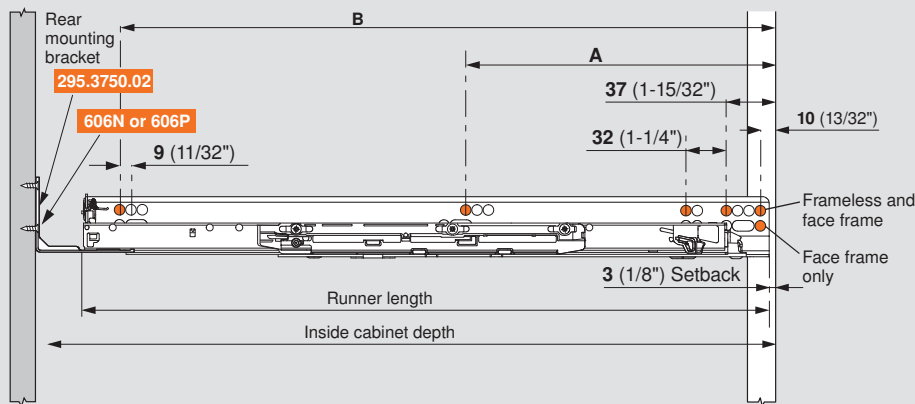
Front view



NOTE: For frame applications, use a minimum of three screws per bracket

Runner mounting specifications

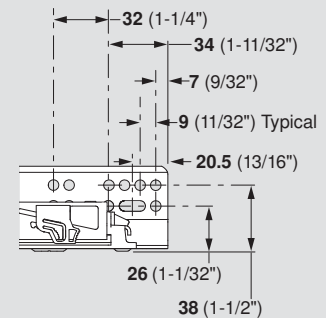
Side view



NOTE: The orange dots indicate fixing screw locations required to meet specified load ratings.

NOTE: If using 15/32" or 1/2" drawer thickness without T59.K010M, subtract 3 (1/8") from setback and screw locations.

Runner close-up



NOTE: Elongated holes are for ±4.5 (3/16") depth adjustment only. Additional screws must be used to secure the runner to the cabinet.

MOVENTO	Drawer length	Inside cabinet depth with rear attachment		Runner length	Screw locations for frameless cabinets	
		Maximum	Minimum		A	B
763H5330S	533 (21")	599 (23-19/32")	557 (21-15/16")	548 (21-9/16")	261 (10-9/32")	517 (20-11/32")
763H4570S	457 (18")	522 (20-9/16")	480 (18-29/32")	471 (18-17/32")	261 (10-9/32")	453 (17-27/32")
763H3810S	381 (15")	446 (17-9/16")	404 (15-29/32")	395 (15-9/16")	165 (6-1/2")	357 (14-1/16")
763H3050S	305 (12")	370 (14-9/16")	328 (12-29/32")	319 (12-9/16")	165 (6-1/2")	261 (10-9/32")

MOVENTO



769R – Heavy Duty Bottom Mount Runners

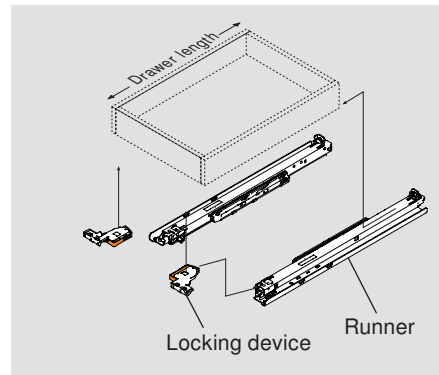
Application



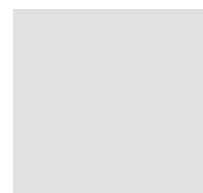
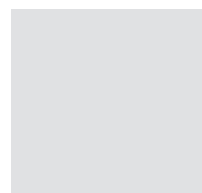
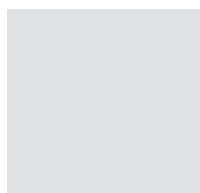
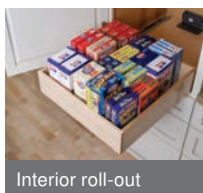
Description

- Pre-assembled bottom mount set
- MOVENTO heavy duty full extension concealed runners with BLUMOTION
- 13 (1/2") to 16 (5/8") drawer side thickness
- 19 (3/4") over extension
- For face frame and frameless applications
- Tool-free side-to-side, height and tilt adjustment
- Maximum 6 (1/4") cabinet bottom recess
- **135 lb static load capacity**
- Designed to be used with SERVO-DRIVE or TIP-ON BLUMOTION touch-to-open feature

Basic Components



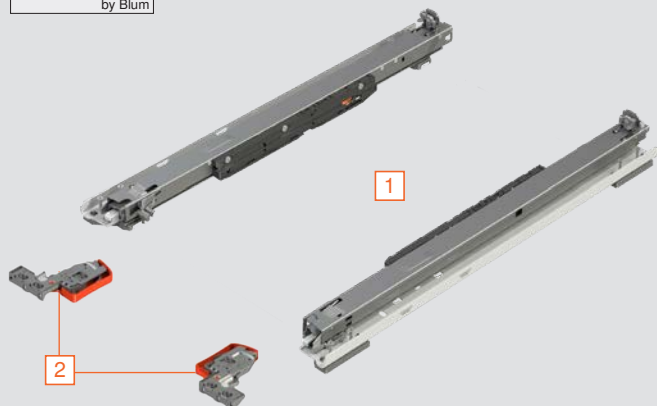
Applications



Components

MOVENTO bottom mount runner set

One set required per drawer



Set includes:

- 1 MOVENTO heavy duty runner set with pre-mounted #6 x 1" wood screws for installation (qty 8)
 - 2 Standard locking device (qty 2) with #6 x 5/8" wood screws for installation (qty 4)
- Installation instructions

Interior roll-outs and roll-out shelf applications must be mounted to the bottom of the cabinet or to a fixed shelf/panel.

Overall cabinet depth	Drawer length	MOVENTO set
610 (24")	533 (21")	769R5330S

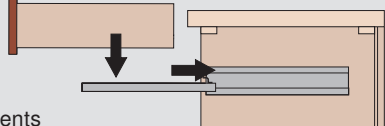
NOTE: These runners are for 13 (1/2") to 16 (5/8") drawer side thickness

NOTE: Pre-attached 1/4" spacers should not be removed. Cabinet bottom recess must be 6 (1/4") or less.

Drawer insertion

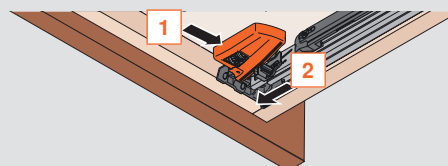
Extend the concealed runners fully. Place the drawer on the runners and close.

The locking devices automatically engage with the runners. Make adjustments if necessary.



Drawer removal

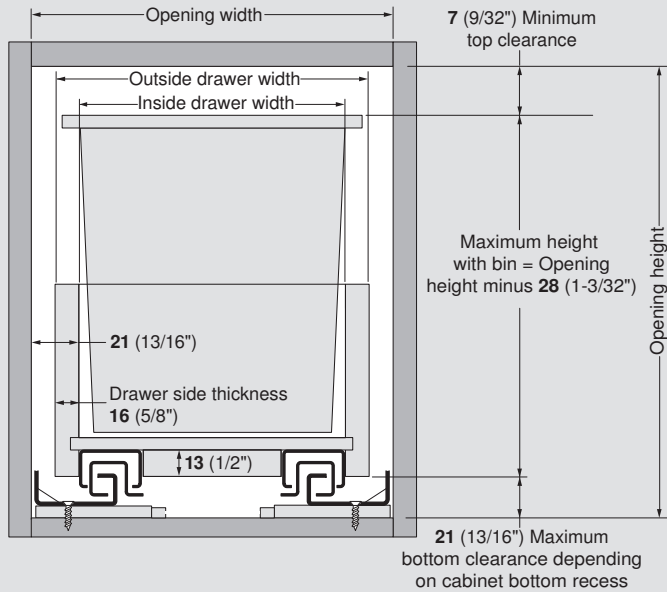
- 1 Squeeze orange handles on locking devices.
- 2 Pull drawer straight out and up.



Drawer and Cabinet Specifications

Drawer box specifications

Front view



NOTE: Drawer side material thickness may vary. Accurate measurement of drawer side material thickness should be used when calculating outside drawer width using the table below. Inside drawer width **must** equal opening width minus 42 (1-21/32") for MOVENTO runners to align and function optimally.

Calculating outside drawer width

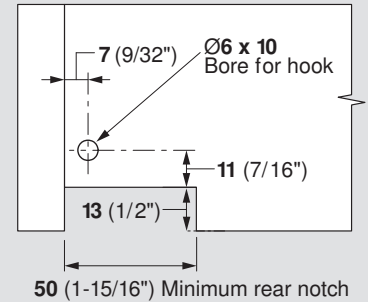
For drawer side thickness	16 (5/8")	15 (19/32")	13 (1/2")	12 (15/32")
Deduct from opening width	10 (13/32")	12 (15/32")	16 (5/8")	18 (23/32")

Example: For 21" opening width and a 5/8" thick drawer, 21" minus 13/32" = 20-19/32" drawer width

NOTE: T59.K010M spacers, available separately, required for 15/32" and 1/2" thick sub-fronts only. See pg 8 in the MOVENTO brochure.

Drawer back preparation

Rear view



Runner comparison

Side view

769R – No vertical profile

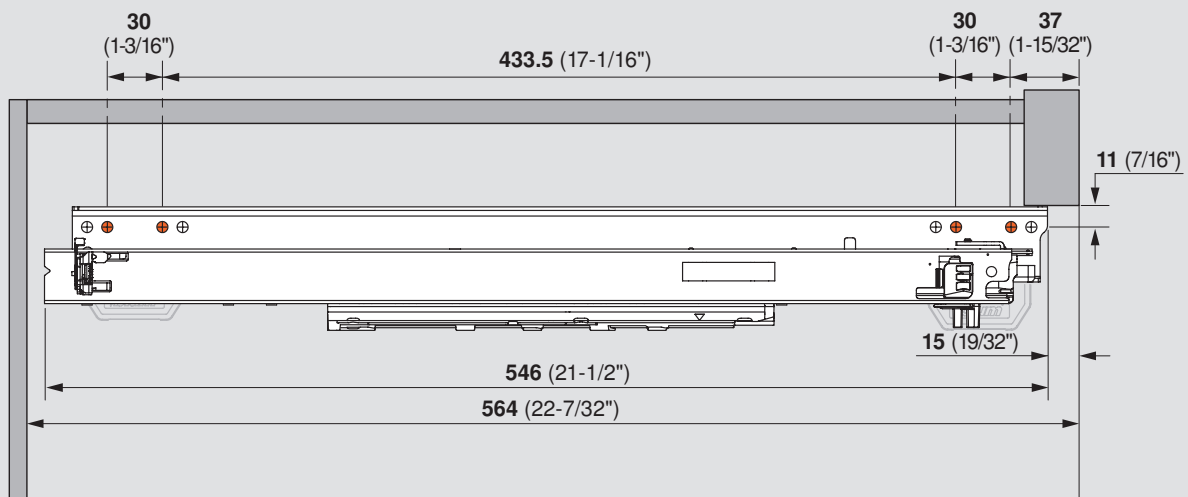


769. – Vertical profile



Runner mounting specifications

Top view



NOTE: Orange dots indicate pre-mounted screw locations. All four are required to meet specified load capacities.